

# SP 2 SLUSH AND COLD CREAM DISPENSER, WITH UV LIGHTS

SP2NUV



## Ref562504 (SP2NUV)

SP2 UV/LED Granita, (2) 1.3 gallon (5 L) bowls, black finish, UV LED bowl lights - Refrigerant R449A

### General Features

SP2 UV/LED Granita, (2) 1.3 gallon (5 L) capacity, 2.6 gallon (10 L) total capacity, black finish - Refrigerant R449A. One compact countertop machine creates both chilled beverages like frozen cocktails, slushies, milkshakes and other frozen drinks. Functions with both water and milk bases or with ready-to-use bases to create delicious chilled treats. The SP UV is the first compact slush machine that has a UV LED light system which sanitized the product as well as the bowl ensuring the quality of the product.

Easy to clean and user-friendly, this is the perfect solution for restaurants, cafeterias, coffee shops, bars and hotels. The patented Hybrid Texture Control maintains the product temperature from full bowl to empty ensuring the consistency of the product from first to last serving.

CRATHCO

# SP 2 SLUSH AND COLD CREAM DISPENSER, WITH UV LIGHTS

## Construction

- Optional Autofill Lid System available: for the automatic filling of the tanks
- Versatile slush machine with three (3) 2.9 gallon/11L I-Tank insulated bowls

# SP 2 SLUSH AND COLD CREAM DISPENSER, WITH UV LIGHTS

## Electric

|                        |                      |
|------------------------|----------------------|
| Supply voltage:        | 115 V / 1 ph / 60 Hz |
| Electrical power max.: | 0.9 kW               |
| Current consumption:   | 9.4 Amps             |
| Plug type:             | USA NEMA 5-15P       |

## Key Information:

|                     |            |
|---------------------|------------|
| Number of bowls:    | 2          |
| Bowl's capacity:    | 1.3 gal    |
| Control board:      | Mechanical |
| Dimensions, Width:  | 17 5/8"    |
| Dimensions, Depth:  | 17 3/8"    |
| Dimensions, Height: | 24 1/8"    |
| Net weight:         | 106 lb     |
| Cooling system:     | AIR        |

## Refrigeration Data

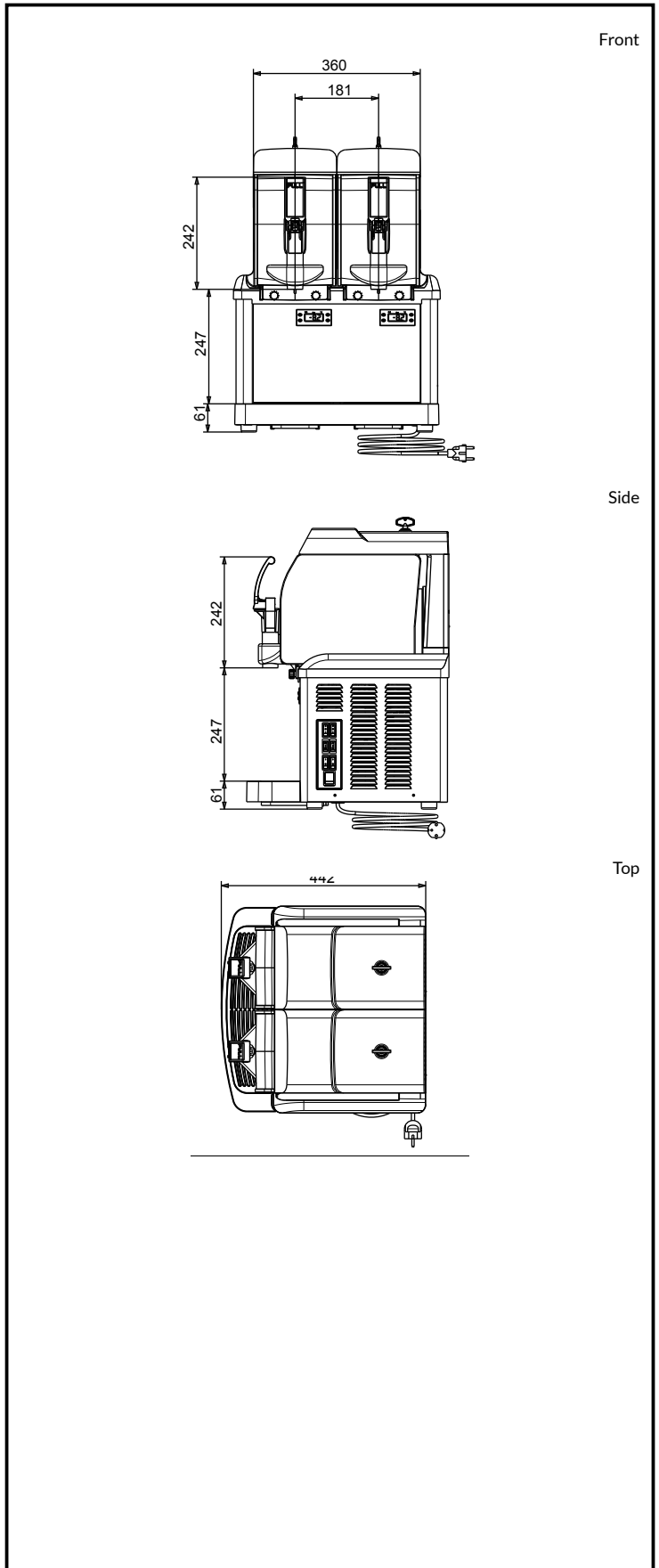
|                  |       |
|------------------|-------|
| Refrigerant gas: | R449a |
|------------------|-------|

## Certifications



The company reserves the right to make modifications to the products without prior notice. All information correct at time of printing.

2024.10.08



**CRATHCO**

www.crathco.drink-systems.com  
infocrathco@electroluxprofessional.com